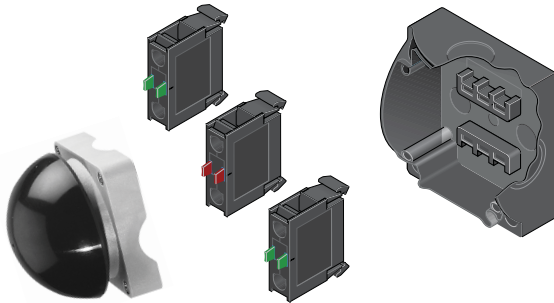


# 47.4

## Pushbuttons and Indicating Lights

### 22.5 mm Modular Pushbuttons—M22

#### Palm Switches



#### Product Description

Eaton's M22 palm switches are an oversized button that mount directly to an enclosure base. This allows for a standalone button that can be mounted anywhere. The enclosure uses base-mounted contact blocks, which allows for quick wiring and mounting. The palm switches come in momentary or maintained versions. As with other M22 operators, the palm switches are available as complete devices, including the enclosure and contact blocks or as modular components.

#### Features

- Oversized operator in black, red and yellow color options
- Button integrated directly into an enclosure
- Base mounting contact blocks allow for simple wiring and installation
- More than one million mechanical operations on momentary and 100,000 on maintained operators

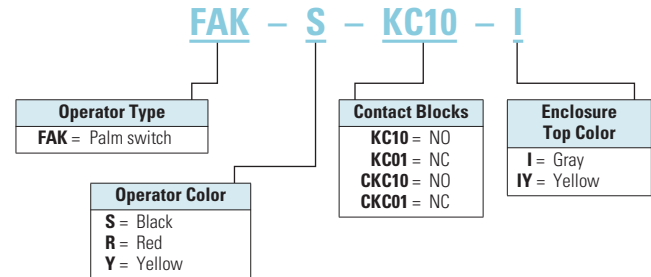
#### Protection Type

- IP67, IP69K
- NEMA 4X, 13

#### Catalog Number Selection

Catalog Number Selection is for illustrative purposes only and not to be used to create new catalog numbers.

#### Palm Switches, Type 4X/13 Enclosure



#### Product Selection

##### Complete Devices

##### Operator, Base and Contact Blocks <sup>①</sup>

| Button Color           | Contact Block Configuration <sup>②</sup> | Catalog Number         |
|------------------------|--|------------------------|
| <b>FAK-S-KC11-I</b>    |  |                        |
| <b>Momentary</b>       |  |                        |
| Black                  | 1NO-1NC                                  | <b>FAK-S-KC11-I</b>    |
| Red                    | 1NO-1NC                                  | <b>FAK-R-KC11-I</b>    |
| Yellow                 | 1NO-1NC                                  | <b>FAK-Y-KC11-I</b>    |
| <b>FAK-R-V-KC01-IY</b> |  |                        |
| <b>Maintained</b>      |  |                        |
| Red                    | NC                                       | <b>FAK-R-V-KC01-IY</b> |
|                        | 2NC                                      | <b>FAK-R-V-KC02-IY</b> |
|                        | 1NO-2NC                                  | <b>FAK-R-V-KC12-IY</b> |
|                        | 1NO-1NC                                  | <b>FAK-R-V-KC11-IY</b> |

#### Notes

<sup>①</sup> For complete listing of available contact blocks, see Accessories, Pages 96–101.

<sup>②</sup> All NC contact blocks are positively driven contact. ⊖